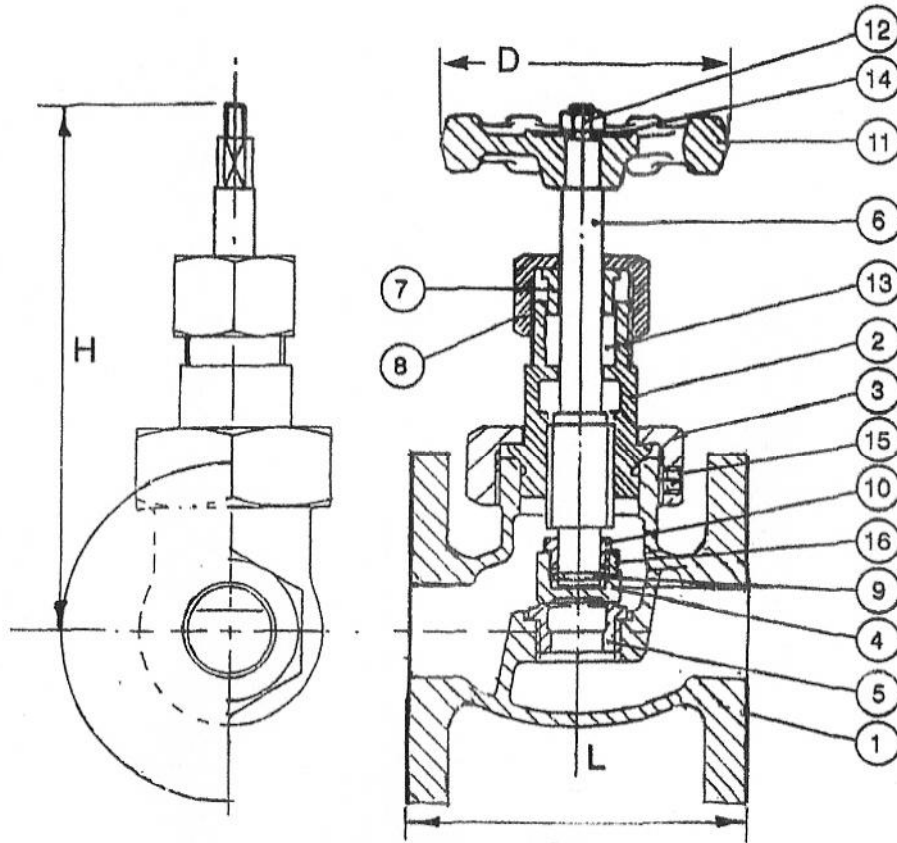


**Options:** ① Handwheels – A Bronze – B Black Fibre Plastic

Valves Available as Screw Down Non Return (SDNR) - Controllable Lift (CL)

**Pressures:** 4000 kPa CWP  
Steam: 1750 kPa @ 260°C

**Standards:** To Australian Standard  
AS1271/2 – 1997



Dimensions

Size mm	8	10	15	20	25	32	40	50	65	80	100
L					130	140	181	203	230	254	•
H	115	115	115	125	136	160	190	190	280	300	•
D	65	65	65	65	90	90	120	120	203	203	•
Wt/kgs					4.7	7.5	9.5	14.0	23.0	29.0	•

Flanges to AS 2129 Table 'H'

Other : ANSI\* - DIN\* - JIS\*

\* Subject to confirmation at Order

\* Union Bonnet Style

16	TAB WASHER	STAINLESS STEEL	
15	GRUB SCREW	STAINLESS STEEL	
14	NAMEPLATE	ALUMINIUM	
13	PACKING	GRAPHOIL	
12	HANDWHEEL NUT	DR BRASS	AS1567 360
11	HANDWHEEL	ZINC ALUM	AS1274
10	RETAINER NUT	DR BRASS	AS1567 360
9	SPLIT COLLAR	DR BRASS	AS1567 360
8	GLAND NUT	DR BRASS	AS1567 360
7	GLAND	DR BRASS	AS1567 360
6	SPINDLE	MANG. BRONZE	AS1567 688D
5	VALVE SEAT	STAINLESS STEEL	AS2837 -431
4	VALVE DISC	STAINLESS STEEL	AS2837 -431
3	BONNET NUT*	BRONZE	AS1565 C83600
2	BONNET*	BRONZE	AS1565 C83600
1	BODY	BRONZE	AS1565 C83600
ITEM	DESCRIPTION	MAT'L	STANDARD



**PROMET VALVES AUSTRALIA**

1A Green Road Woodville West SA 5011  
www.prometvalves.com promet@prometvalves.com  
T: 08 8268 1777 ABN 47096 425 697 F: 08 8268 1711

Fig No

**T502**

STERLING SERIES GLOBE  
VALVE - FLANGED